

TWILIGHT

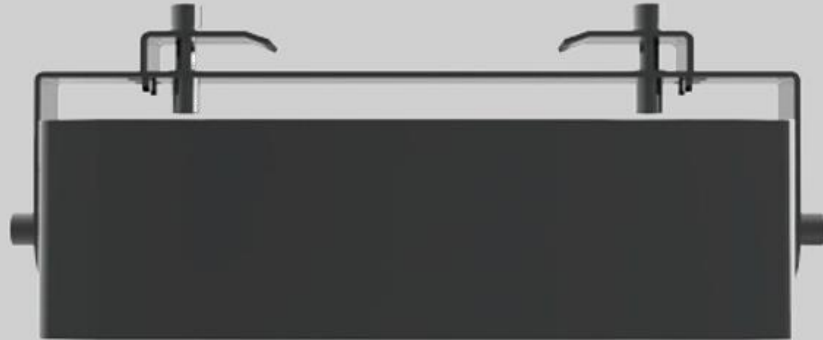


LED Lighting for bridge and road fence



www.proluxled.com

FEATURES



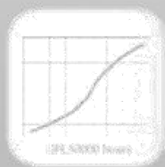
This light is widely used in places which aren't suitable for installing high pole luminaries, offers innovative, dynamic, and highly reliable LED lighting solutions for all types of bridges, including viaducts, bridges and overpasses.



It's specifically designed for bridge lighting with advantages of superior light output, long useful source life, highly reliable operation, energy-efficient cost effective and easy maintenance.



5 Years Warranty



Long Life
50000 Hours



IP 65



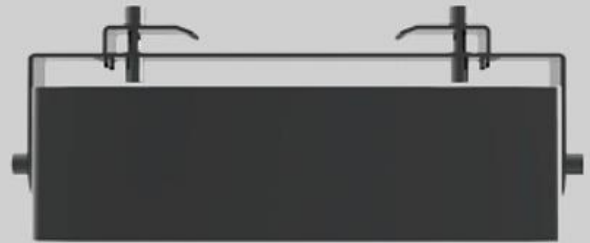
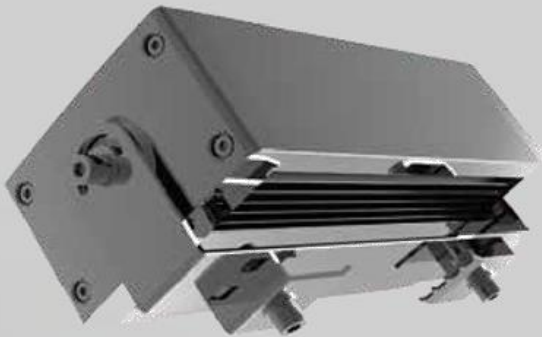
100lm/w

www.proluxled.com

FEATURES



Exquisite appearance, precise light distribution, high light efficiency



Specially designed for places which aren't suitable for installing high pole luminaries, including viaducts, bridges and overpasses



Anti-corrosion metal coating on surface able to stand up to the harshest environments



Bulletproof design to prevent damage in low location



Aviation aluminum body, lightweight but highly reliable, excellent heat dissipation performance



High quality 304 stainless steel frame, high-intensity, easy to install

PARAMETER

Parameter Technical	Specification	AU-TW-28W
Electrical	Power Consumption	28W
	Input Voltage	AC100-240V
	Input Frequency	50/60Hz
	Power Factor	> 0.95
	Power Supply Efficiency	≥90%
	LED Driver Brand	INVENTRONICS
Optical	Lens Brand	LEDLINK
	LED Chip Brand	Philips-Lumileds
	Lumen Output	2500Lm
	Lumens per Watt	≥90Lm/W
	Correlated Color Temperature (CCT)	4000K/5000K/5700K
Environmental	Color Rendering Index (CRI)	Ra≥70
	Ambient Operating Temperature	-40°C ~ +50°C (-40°F to 122°F)
	Ambient Operating Humidity	10%~90% RH
Mechanical	Optimal Operating Temperature	25°C (77°F)
	Housing Material	Aluminum Alloy
	Lens Material	PMMA
	Mounting Options	Fence type/ Wall type
	IP Rating	IP65
	Net weight	2.9kg/6.4lbs
Packing	Dimensions (L×W×H)	315×120×130 mm 12.4×4.7×5.1in
	Total Weight (KG)	3.16kg/7.0lbs
Warranty	Vibration	3G 5-Year & L70@50,000Hrs
Certification	CQC RoHS UL DLC CB CE FCC	

specifications subject to change

APPLICATION

